

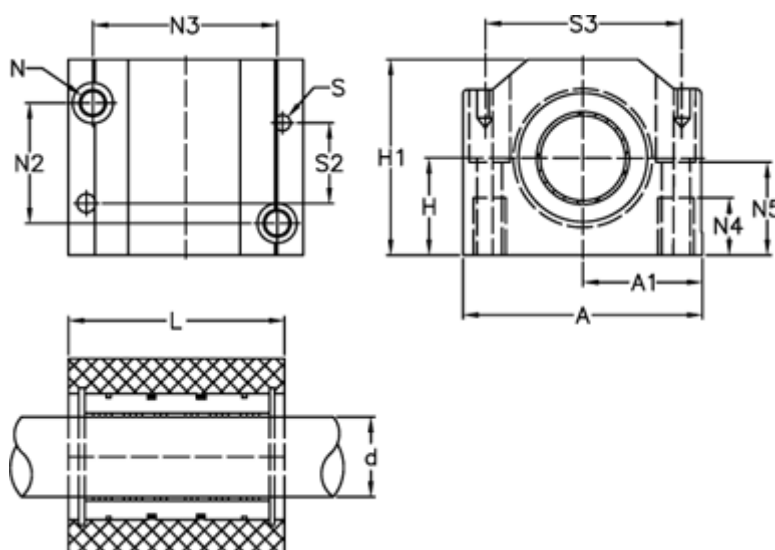
# Data Sheet



Article number: 5030016

Description: Closed pillow block PM 16  
FM standard bearing included

## Measures



A = 53	N4 = 13
A1 = 26.5	N5 = 21
H = 22	S = 4
H1 = 42	S2 = 35
L = 43	S3 = 42
N = M6 x 1,0	Static load (kg) = 1210
N2 = 26.15	Weight (kg) = 0.200
N3 = 40.15	